

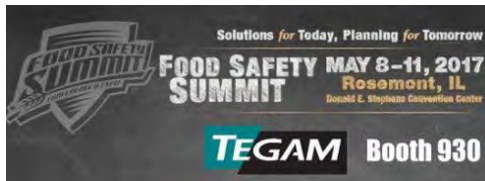
TEGAM

Be Certain with TEGAM!

TEGAM 930 / 1030 SERIES DATA COLLECTION THERMOMETERS

developers' kit

Temperature Data Collection
Designed for the Way YOU Do Business



Made in U.S.A.



www.tegam.com

sales@tegam.com

1-800-666-1010

Overview

- A little about us and our products
- FSMA temperature data compliance challenges
- Food safety temperature data solutions
- TEGAM Developers' Kit data collection solution



TEGAM, Inc. – Who Are We?

30 years temperature measurement experience

900 Series - most accurate TEGAM thermometers ever offered

Designed and assembled in the U.S.A.

Durable, reliable, industry ready (MIL-PRF compliant)

Thermometers, probes, and thermocouple calibrators

900 AND 1000 SERIES HANDHELD DIGITAL THERMOMETERS



Advanced Thermometry

Superior accuracy $\pm(0.04\% \text{ rdg} + 0.3 \text{ }^\circ\text{C})$

2000 hour battery life using 3 aa batteries

3 year warranty ensures your investment is protected

No rubber boot! Withstands the rigors of daily use with no additional accessories

Easy to clean – smooth and sleek design resists dirt, grease, and grime

900 AND 1000 SERIES HANDHELD DIGITAL THERMOMETERS



Versatility and Performance

Ideal for Food, Pharmaceutical, and Materials Applications

Support up to 8 Thermocouple Types

- K, J, T, E, B, R, N, S

Data Collection Models for Compliance Requirements
and Data Analysis

Real-Time Statistical Data at the Touch of a Button



FSMA Compliance Challenges

FDA AND USDA OVERSIGHT

Changes to the way we measure, collect, and store temperature data

Downstream pressures for accurate, auditable temperature data

Additional regulatory oversight and audits

Increased public awareness



FSMA Compliance Advantages

More accountability within your organization

Quicker failure response and corrective actions

Safer, higher quality product with less fallout

Improved process efficiency – Saves Money!



Business Challenges

THE COSTS OF COMPLIANCE

Custom solutions can be cost-prohibitive, or at minimum require large capital outlay and labor costs

Discrete Temperature Data Systems cost less, but require dedicated processes and do not integrate well

Often requires manual reporting for audits and downstream reporting



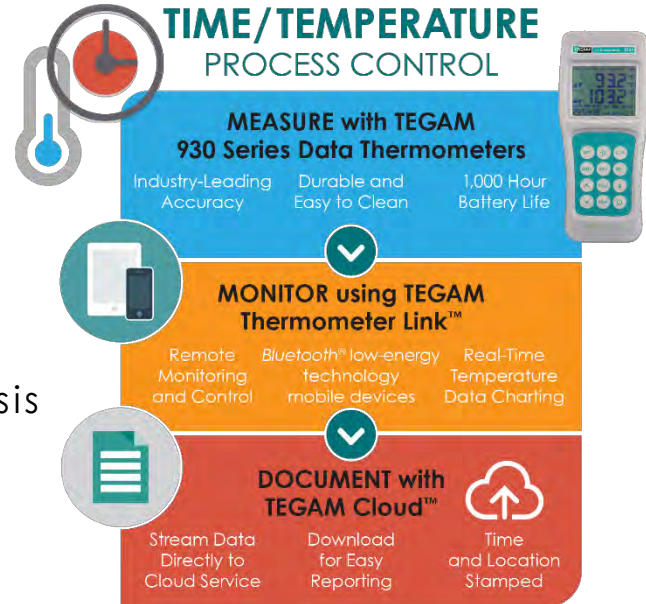
So What's the Answer?

Ideal temperature data solution should:

- Integrate into your existing food safety systems
- Not require changes to your existing production processes
- Provide fast defect / failure notification
- Result in auditable records
- Facilitate downstream reporting and data analysis

All this, **without breaking the bank!**

TEMPERATURE DATA
INTEGRATION WITHOUT HIGH
UP-FRONT COSTS



Wireless Data Collection

OUT-OF-THE-BOX
IMPLEMENTATION



Connect to the **TEGAM Cloud™** for convenient data storage

Free Thermometer Link™ mobile app provides
Connect to your iOS or Android Device
 via Bluetooth Smart wireless technology
 and **instant data analysis**
Included with purchase of any
 TEGAM data collection thermometer
remote instrument control



The Bluetooth® wordmark and logos are registered trademarks of Bluetooth SIG, Inc. Samsung Galaxy S® is a registered trademark of Samsung Electronics Co., Ltd. All screen images simulated.

TEGAM Developers' Kit

930 AND 1030 SERIES
DEVELOPERS' KIT

Integrate Temperature Data Collection into Your Existing Business Systems with the TEGAM Data Collection Thermometers and Developers' Kit

Customize Temperature Data Collection to Fit Your Business Processes

Includes Sample Windows, Android, and iOS Application Executables, Source Code, and Communication Libraries

Hardware and Hardware-related **Technical Support**



Probes for Your Application

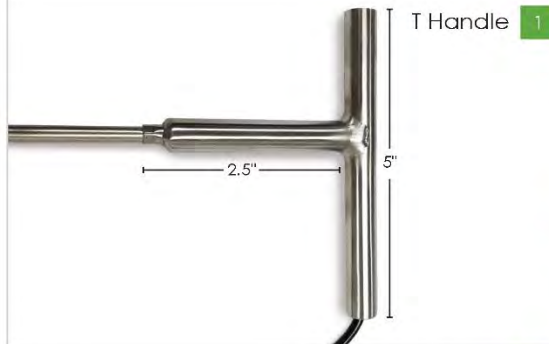
THERMOCOUPLE, THERMISTOR, AND RTD PROBES

CONNECTOR TYPES



HANDLE OPTIONS

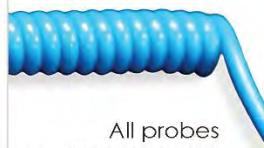
No Handle (None) 0



Tri Shape Handle 6



CORDS



All probes (except wire tip) come with a coiled cord (Retracted 1' Stretches to 5')

PROBE TIP STYLES

